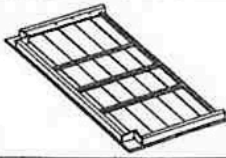


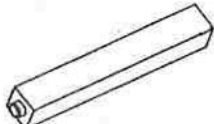
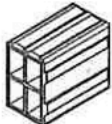

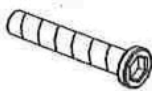
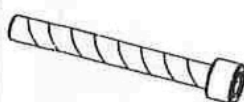

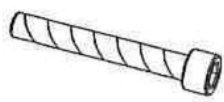






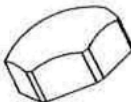
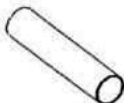

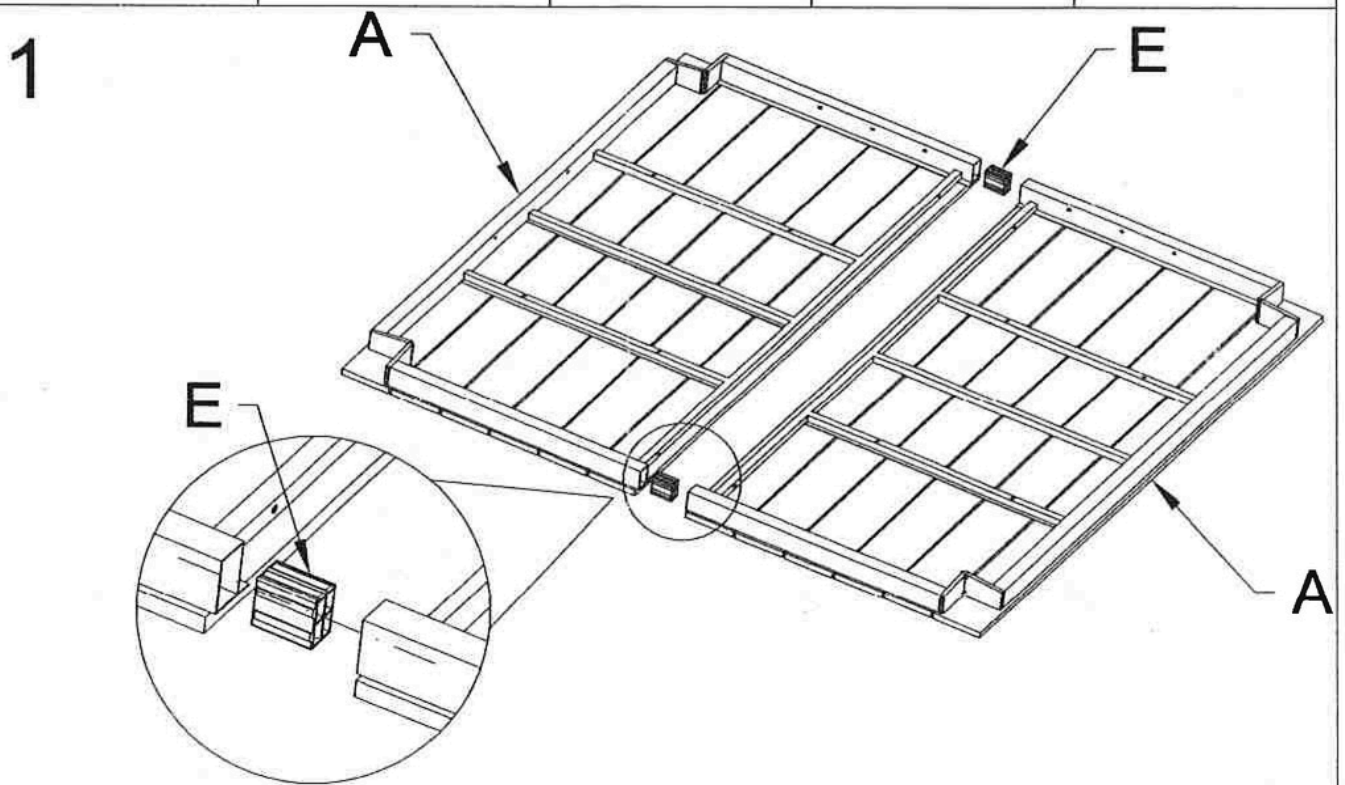
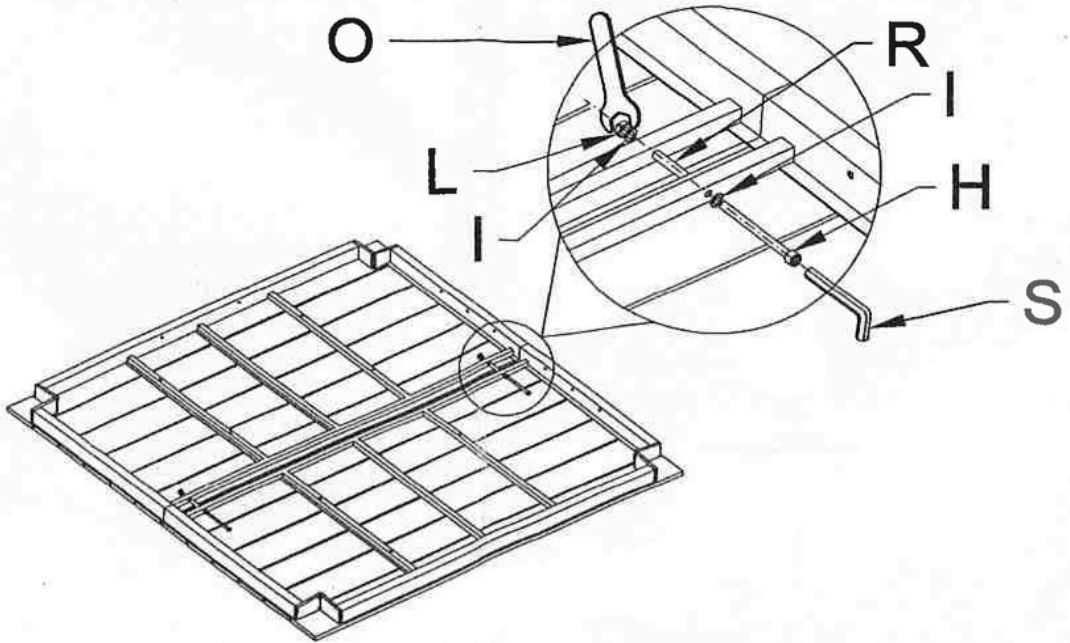


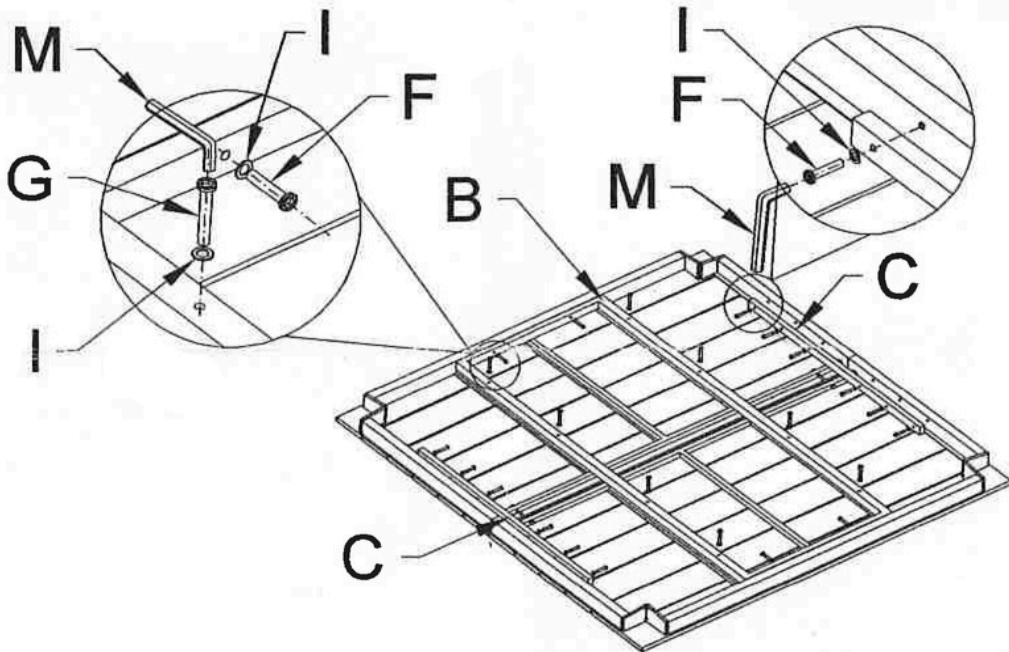
A X2	B X1	C X2	D X4	E X2
				
F X16 1/4" X 35MM	G X8 1/4" X 45MM	H X2 1/4" X 100MM	I X28 Ø14MM	J X8 5/16" x55MM
				
K X8 Ø16MM	L X2 1/4"	M X1 4MM	N X1 6MM	O X1
				
P X24	Q X2	R X2	S X1 5MM	
				



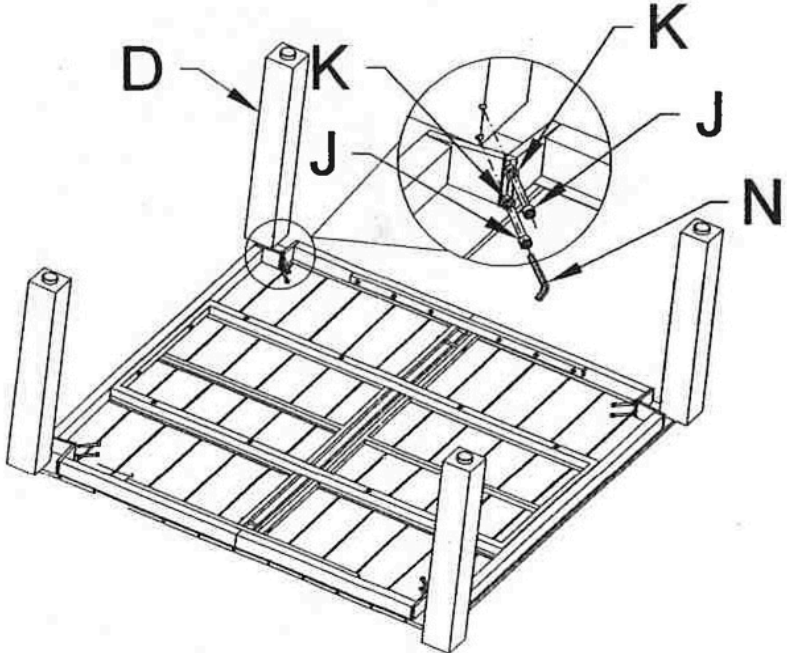
2



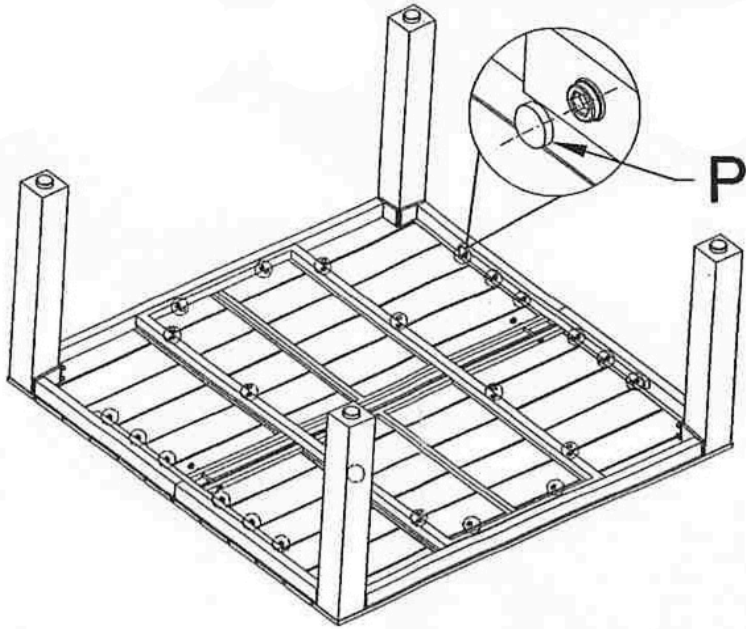
3



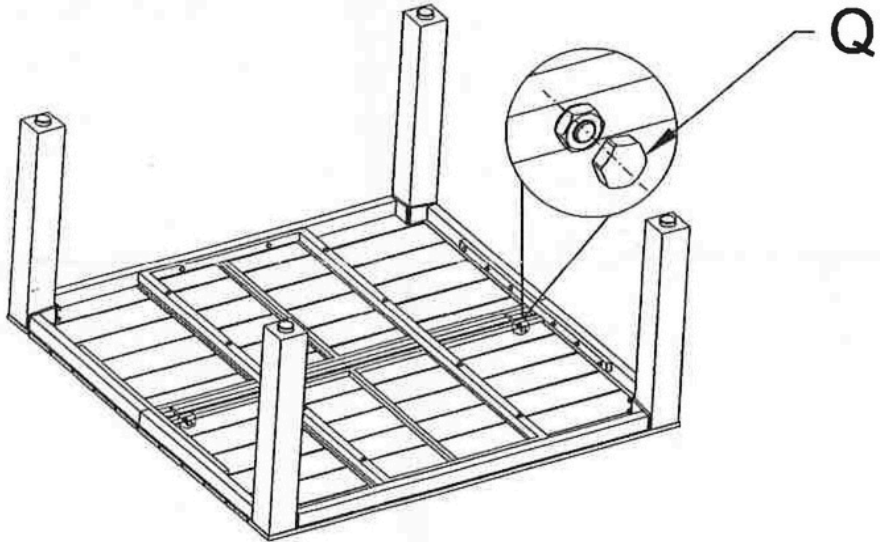
4



5



6



7

